

Select Double Hung Window



Select Double Hung Window

The Carinya Select Double Hung Window is a distinctive combination of design and durability not previously available in the residential category. It has been designed with matching stylish hardware, with the option for a lockable or non-lockable handle.

All Carinya double hung window sashes feature corner blocks in all four corners of the sashes. These blocks make the sash more rigid, reducing twist and movement. This reduction in movement increases the performance of the window by reducing opportunities for air, water and dust infiltration.



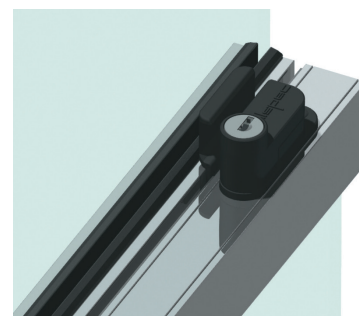
Key Features

- With a generous 92mm frame width this double hung is perfect for large openings up to 2.2 metres tall and 1 metre wide.
- The 92mm frame width allows for integrated screening within the width of the frame for a clean designer finish.
- Cleaning is a breeze. If required, both top and bottom sashes (or panels) can be removed thanks to special take out clips and a unique heavy duty sash balance system.
- The Carinya attention to detail includes bump stops to prevent frame damage, end caps to conceal sharp corners, as well as internal and external weather flaps that hide drainage slots and minimise insect intrusion.
- Full perimeter weather piles reduce air infiltration and improve acoustic performance.

Technical Specifications

Maximum sash height	1090mm
Maximum sash width	1000mm
Maximum single glazed thickness	10.5mm
Maximum double glazed thickness	18mm
Maximum sash weight	20kg

Subject to site conditions



Typical Configurations

